

**\*\*\*THANKS FOR CHOOSING ZING WOODWORKS. PLEASE READ THE ENTIRE PLAN BEFORE STARTING THE PROJECT\*\*\***

This PDF document and its contents cannot be sold or used without written permission from ZING WOODWORKS LLC  
 Plans, wording and graphics Copyright owned by ZING WOODWORKS LLC



|  |               |                          |                      |
|--|---------------|--------------------------|----------------------|
| DRAWN:<br>MN   | DATE 3/3/2024 | ZING WOODWORKS LLC       |                      |
| CHECKED:<br>N/A  |               | <b>CEDAR BIRDHOUSE 4</b> |                      |
| QA<br>N/A  |               | SIZE<br>D                | DWG NO<br>TITLE PAGE |
| UNLESS OTHERWISE SPECIFIED:<br>DIMENSIONS ARE IN INCHES<br>TOLERANCES: ± 0.0625 in |               | SCALE<br>1 / 1           | PAGE<br><b>A1</b>    |
|  |               |                          | REV<br>0             |

## COPYRIGHT

This work and any wording or graphics found in these woodworking plans are for personally use only.  
This PDF document and its contents cannot be sold or used without written permission from Zing Woodwork LLC

Plans, wording and graphics Copyright owned by Zing Woodworks LLC

## SAFETY WARNING

Woodworking machinery can cause injury from improper operation or from poor maintenance.  
Individual machines must be evaluated for specific operating hazards.

Make sure you use hand, eye and hearing protection when using power equipment & always practice safety.

Zing Woodworks LLC is not responsible for an injuries or harm caused by improper power tool use  
or any injuries related to building this project.

## TOOLS NEEDED



MITER SAW



DRILL



SANDER



18 GA NAILER

## MATERIALS NEEDED



CEDAR FENCE PICKET  
(1) 1x6 @ 6FT



STAINLESS STEEL SCREWS  
(2) #6-1" SCREWS



WOOD GLUE



1" - 18 GA NAILS



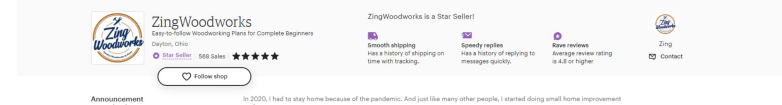
CEDAR SHINGLES



(1) TURN BUTTON

## VISIT OUR ZING WOODWORKS ETSY STORE FOR MANY MORE WOODWORKING PLANS

[https://www.etsy.com/shop/ZingWoodworks?ref=simple-shop-header-name&listing\\_id=1365901170](https://www.etsy.com/shop/ZingWoodworks?ref=simple-shop-header-name&listing_id=1365901170)



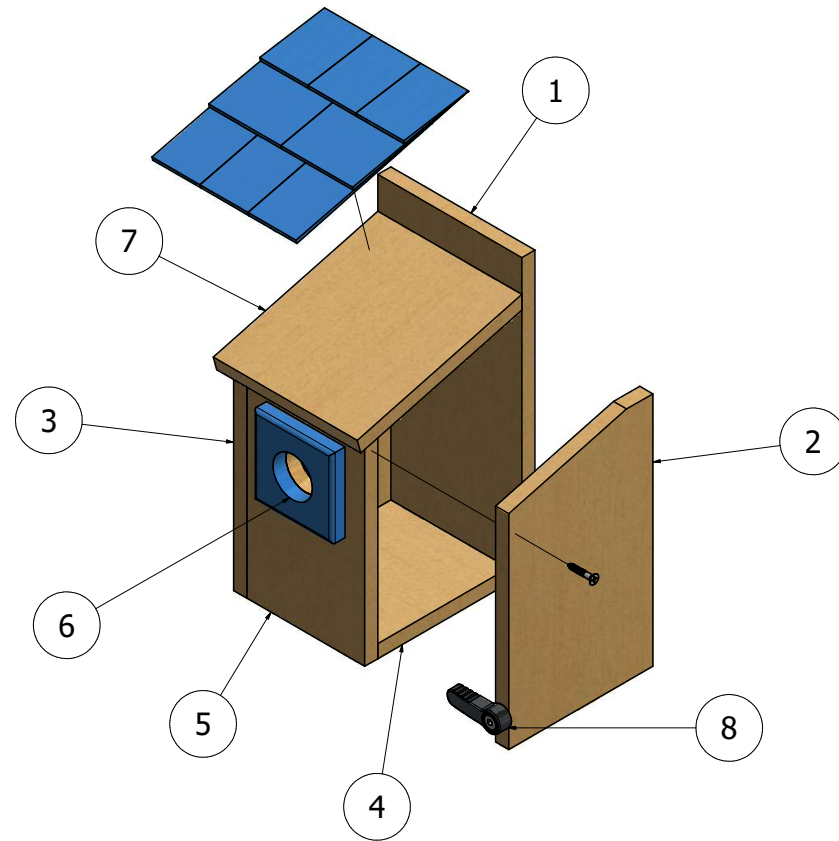
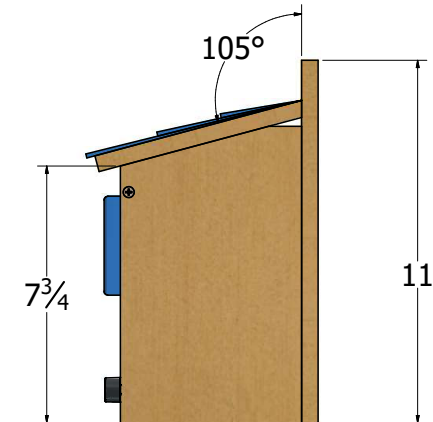
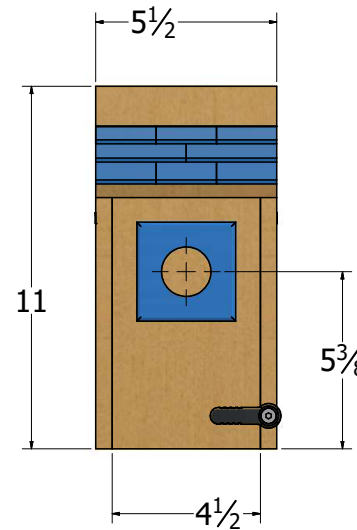
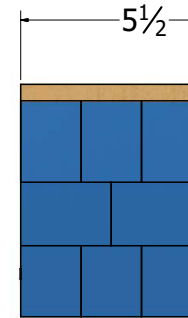
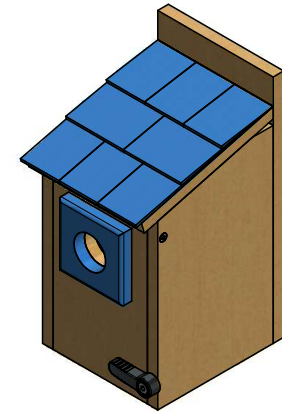
## PLEASE FOLLOW MY YOUTUBE CHANEL FOR MORE PROJECT VIDEOS



|  |                  |                          |                        |            |
|--|------------------|--------------------------|------------------------|------------|
| DRAWN:<br>MN   | DATE<br>3/3/2024 | ZING WOODWORKS LLC       |                        |            |
| CHECKED:<br>N/A  |                  | <b>CEDAR BIRDHOUSE 4</b> |                        |            |
| QA<br>N/A  |                  |                          |                        |            |
| UNLESS OTHERWISE SPECIFIED:<br>DIMENSIONS ARE IN INCHES<br>TOLERANCES: ± 0.0625 in |                  | SIZE<br>D                | DWG NO<br>B-NOTES PAGE | PAGE<br>B1 |
|  |                  | SCALE                    |                        | REV<br>0   |

| PARTS LIST |     |              |          |
|------------|-----|--------------|----------|
| ITEM       | QTY | PART NUMBER  | MATERIAL |
| 1          | 1   | BACK SIDE    | CEDAR    |
| 2          | 1   | LEFT SIDE    | CEDAR    |
| 3          | 1   | RIGHT SIDE   | CEDAR    |
| 4          | 1   | BOTTOM PLATE | CEDAR    |
| 5          | 1   | DOOR         | CEDAR    |
| 6          | 1   | BLOCK        | CEDAR    |
| 7          | 1   | ROOF         | CEDAR    |
| 8          | 1   | TURN BUTTON  | N/A      |

**\*\*\*NOTES: CEDAR FENCE PICKETS TEND TO VARY IN THICKNESS. YOU MIGHT HAVE TO SLIGHTLY ADJUST THE DIMENSIONS TO FIT ALL THE PARTS TOGETHER.**

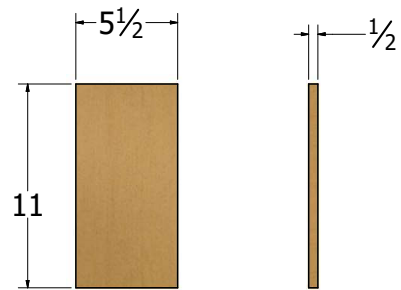


|  |               |
|--|---------------|
| DRAWN: MN  | DATE 3/3/2024 |
| CHECKED: N/A   |               |
| QA: N/A  |               |
| UNLESS OTHERWISE SPECIFIED:<br>DIMENSIONS ARE IN INCHES<br>TOLERANCES: ± 0.0625 in |               |

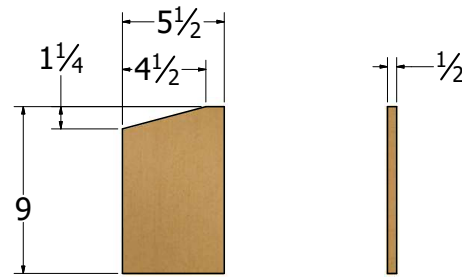
|                          |                       |         |
|--------------------------|-----------------------|---------|
| ZING WOODWORKS LLC       |                       |         |
| <b>CEDAR BIRDHOUSE 4</b> |                       |         |
| SIZE D                   | DWG NO TOTAL ASSEMBLY | PAGE C1 |
| SCALE 1:2.25             |                       | REV 0   |

This PDF document and its contents cannot be sold or used without written permission from ZING WOODWORKS LLC  
Plans, wording and graphics Copyright owned by ZING WOODWORKS LLC

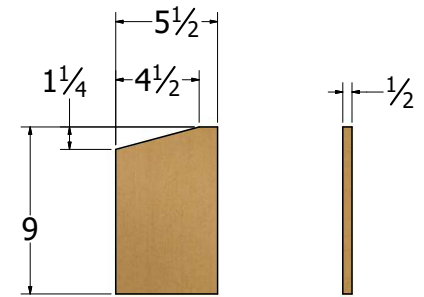
# CUTLIST



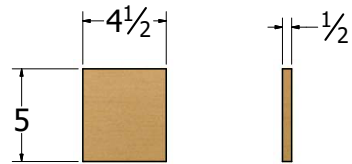
1 BACK SIDE  
MATERIAL: CEDAR  
QTY: 1



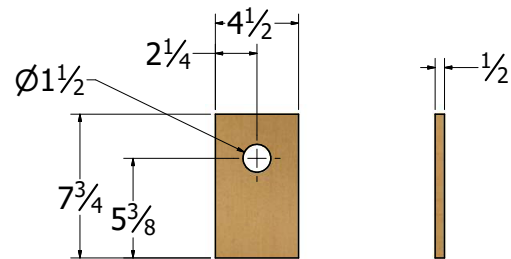
2 LEFT SIDE  
MATERIAL: CEDAR  
QTY: 1



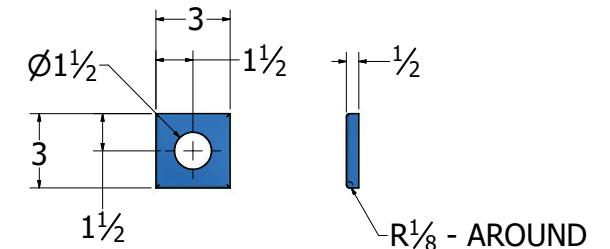
3 RIGHT SIDE  
MATERIAL: CEDAR  
QTY: 1



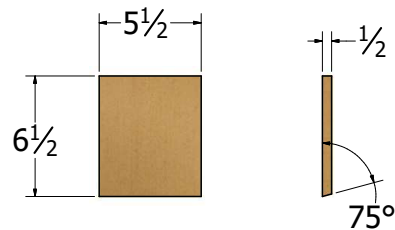
4 BOTTOM PLATE  
MATERIAL: CEDAR  
QTY: 1



5 DOOR  
MATERIAL: CEDAR  
QTY: 1



6 BLOCK  
MATERIAL: CEDAR  
QTY: 1



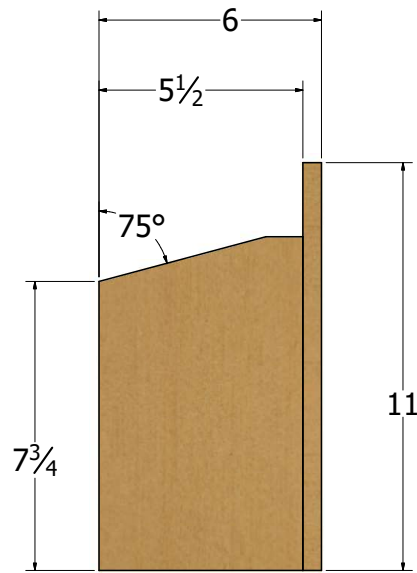
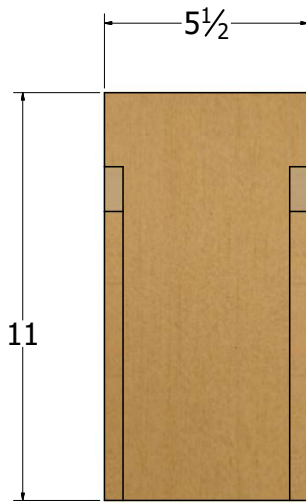
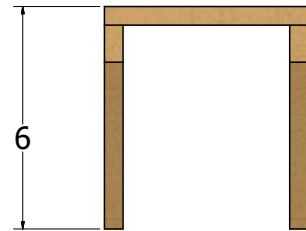
7 ROOF  
MATERIAL: CEDAR  
QTY: 1

This PDF document and its contents cannot be sold or used without written permission from ZING WOODWORKS LLC  
Plans, wording and graphics Copyright owned by ZING WOODWORKS LLC

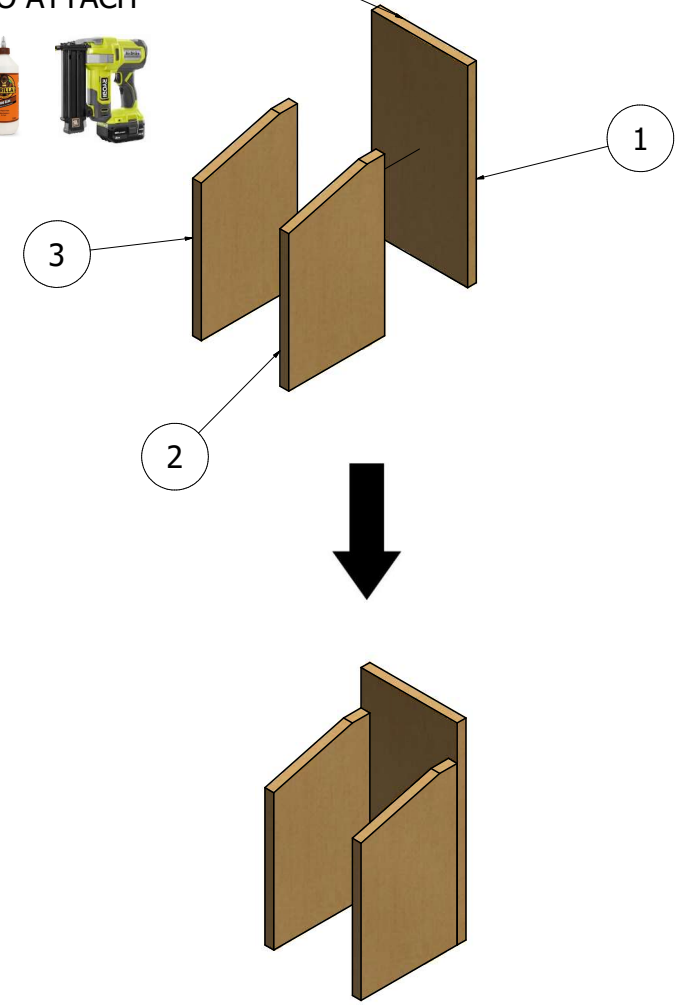


|  |                  |                          |                          |
|--|------------------|--------------------------|--------------------------|
| DRAWN:<br>MN   | DATE<br>3/3/2024 | ZING WOODWORKS LLC       |                          |
| CHECKED:<br>N/A  |                  | <b>CEDAR BIRDHOUSE 4</b> |                          |
| QA<br>N/A  |                  |                          |                          |
| UNLESS OTHERWISE SPECIFIED:<br>DIMENSIONS ARE IN INCHES<br>TOLERANCES: ± 0.0625 in |                  | SIZE<br>D                | DWG NO<br>TOTAL ASSEMBLY |
|  |                  | SCALE<br>1 / 4           | PAGE<br>C2               |
|  |                  |                          | REV<br>0                 |

# STEP 1: ASSEMBLE THE WALLS AROUND



USE WOOD GLUE AND  
1" - 18 GA NAILS  
TO ATTACH

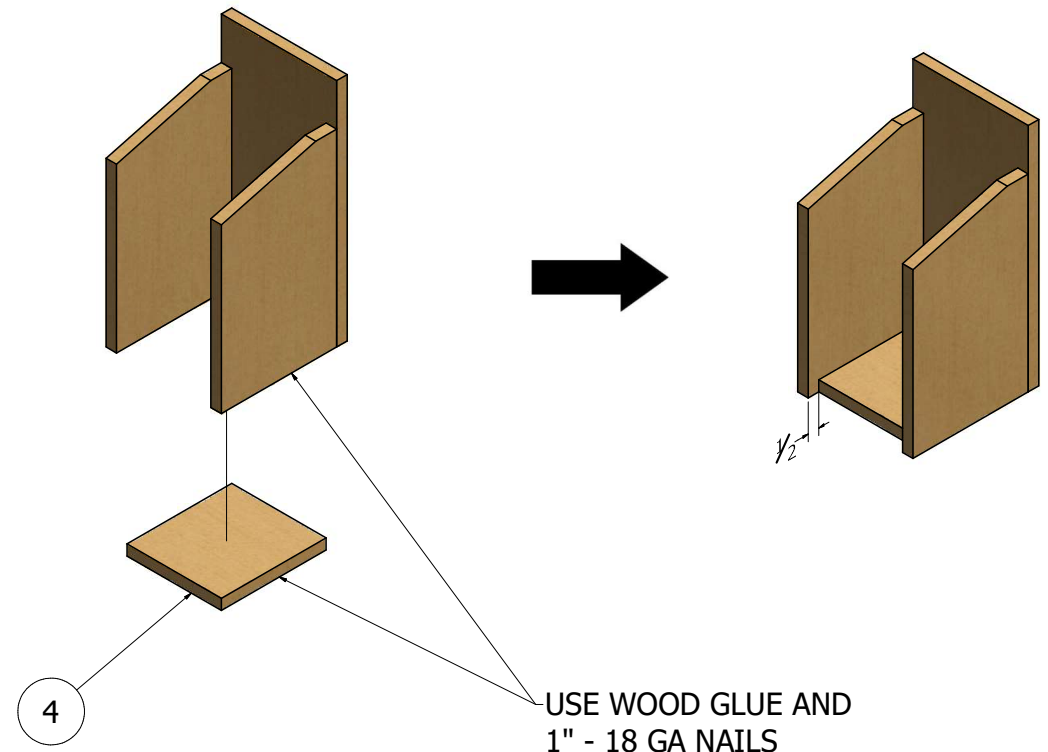
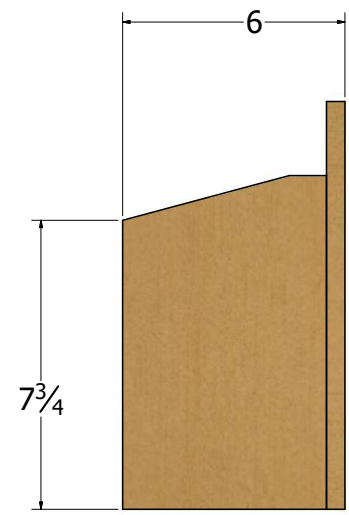
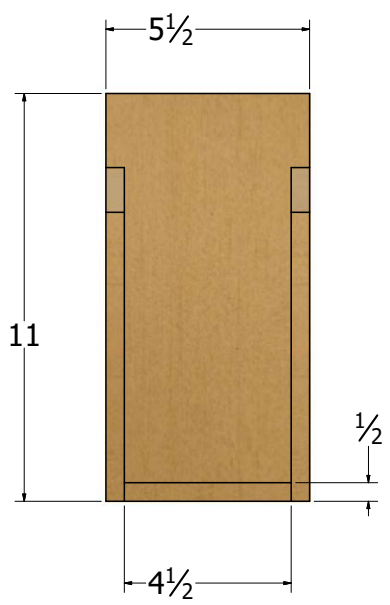


This PDF document and its contents cannot be sold or used without written permission from ZING WOODWORKS LLC  
Plans, wording and graphics Copyright owned by ZING WOODWORKS LLC



|  |                  |                          |                          |            |
|--|------------------|--------------------------|--------------------------|------------|
| DRAWN:<br>MN   | DATE<br>3/3/2024 | ZING WOODWORKS LLC       |                          |            |
| CHECKED:<br>N/A  |                  | <b>CEDAR BIRDHOUSE 4</b> |                          |            |
| QA<br>N/A  |                  |                          |                          |            |
| UNLESS OTHERWISE SPECIFIED:<br>DIMENSIONS ARE IN INCHES<br>TOLERANCES: ± 0.0625 in |                  | SIZE<br>D                | DWG NO<br>BUILDING STEPS | PAGE<br>D1 |
|  |                  | SCALE                    |                          | REV<br>0   |

# STEP 2: ATTACH BOTTOM



USE WOOD GLUE AND  
1" - 18 GA NAILS  
TO ATTACH

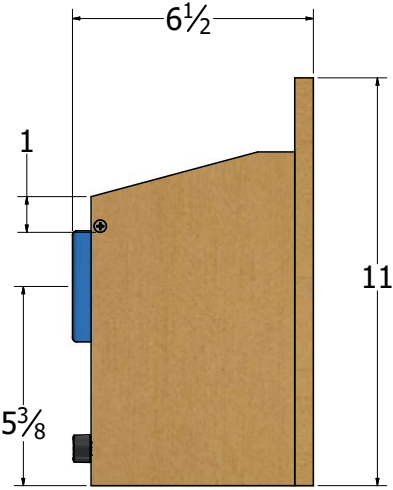
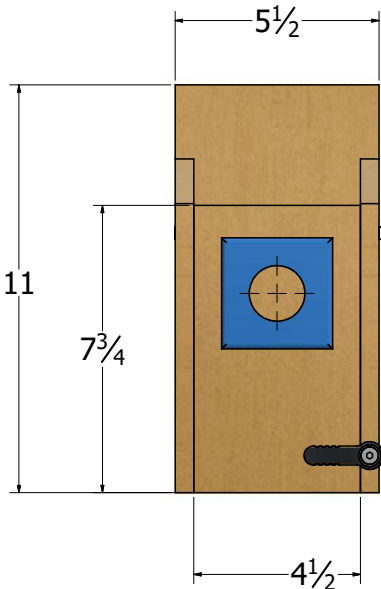


This PDF document and its contents cannot be sold or used without written permission from ZING WOODWORKS LLC  
Plans, wording and graphics Copyright owned by ZING WOODWORKS LLC



|  |               |                          |                          |
|--|---------------|--------------------------|--------------------------|
| DRAWN:<br>MN   | DATE 3/3/2024 | ZING WOODWORKS LLC       |                          |
| CHECKED:<br>N/A  |               | <b>CEDAR BIRDHOUSE 4</b> |                          |
| QA<br>N/A  |               |                          |                          |
| UNLESS OTHERWISE SPECIFIED:<br>DIMENSIONS ARE IN INCHES<br>TOLERANCES: ± 0.0625 in |               | SIZE<br>D                | DWG NO<br>BUILDING STEPS |
|  |               | SCALE                    | PAGE<br>D2               |
|  |               |                          | REV<br>0                 |

# STEP 3: ASSEMBLE FRONT DOOR



USE WOOD GLUE AND 1" - 18 GA NAILS TO ATTACH

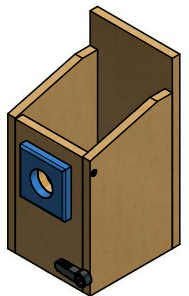
USE #6 - 1" STAINLESS SCREWS TO ATTACH THE FRONT DOOR. MAKE SURE TO SCREW THEM SYMMETRICALLY TO ALLOW SWINING.

**NOTES:** DO NOT USE WOOD GLUE



5

ATTACH TURN BUTTON TO OPEN OR CLOSE



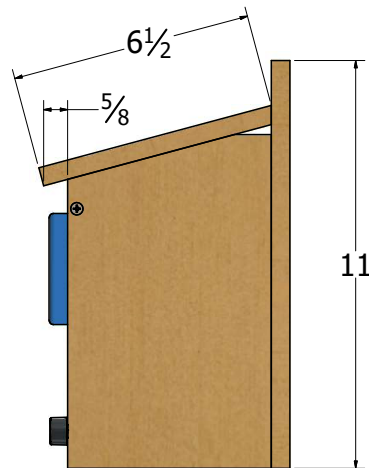
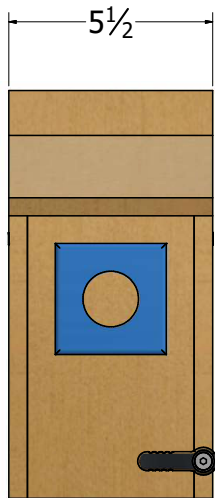
6



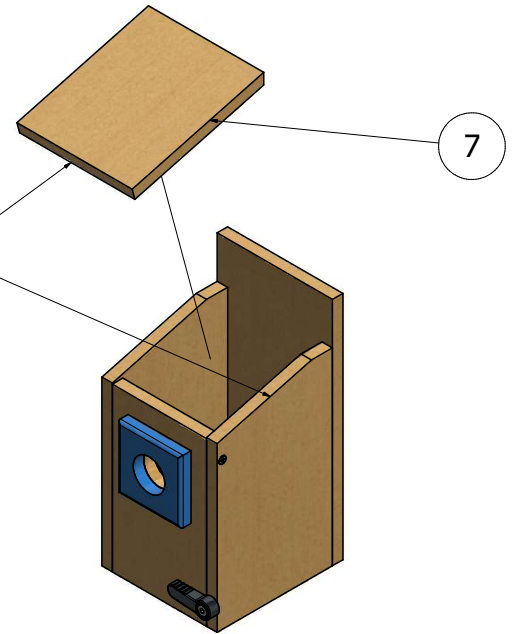
|  |               |
|--|---------------|
| DRAWN:<br>MN   | DATE 3/3/2024 |
| CHECKED:<br>N/A  |               |
| QA<br>N/A  |               |
| UNLESS OTHERWISE SPECIFIED:<br>DIMENSIONS ARE IN INCHES<br>TOLERANCES: ± 0.0625 in |               |

|                          |                          |            |
|--------------------------|--------------------------|------------|
| ZING WOODWORKS LLC       |                          |            |
| <b>CEDAR BIRDHOUSE 4</b> |                          |            |
| SIZE<br>D                | DWG NO<br>BUILDING STEPS | PAGE<br>D3 |
| SCALE                    |                          | REV<br>0   |

# STEP 4: ATTACH THE ROOF



USE WOOD GLUE AND  
1" - 18 GA NAILS TO ATTACH



This PDF document and its contents cannot be sold or used without written permission from ZING WOODWORKS LLC  
Plans, wording and graphics Copyright owned by ZING WOODWORKS LLC



DRAWN: MN  
CHECKED: N/A  
QA: N/A  
UNLESS OTHERWISE SPECIFIED:  
DIMENSIONS ARE IN INCHES  
TOLERANCES: ± 0.0625 in

DATE 3/3/2024

ZING WOODWORKS LLC

**CEDAR BIRDHOUSE 4**

SIZE D  
SCALE

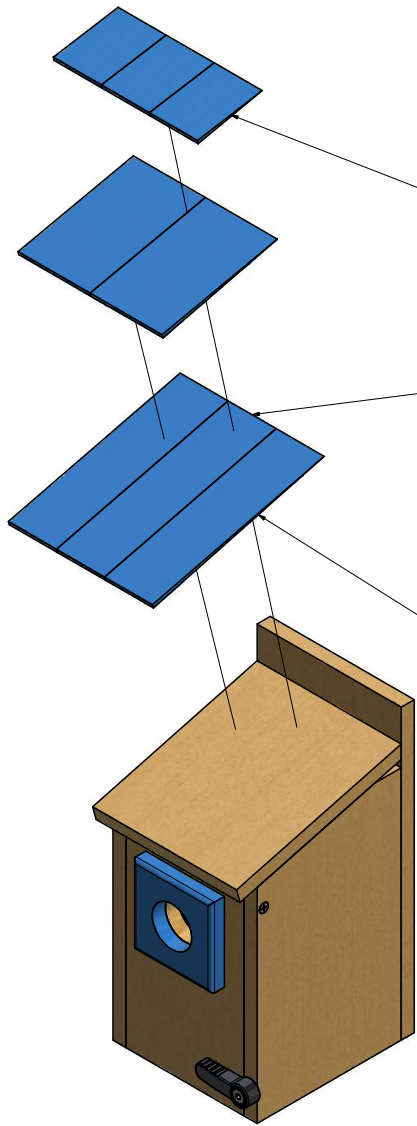
DWG NO BUILDING STEPS

PAGE

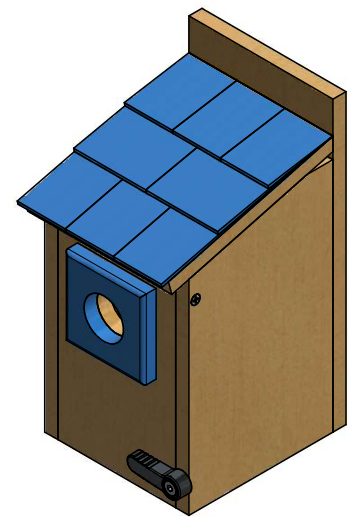
**D4**

REV 0

# STEP 5: ATTACH ROOF SHINGLES



USE WOOD GLUE AND  
3/8" STAPLE PINS TO ATTACH



USE CEDAR SHINGLES  
FOR THE ROOF

16 in. Natural Eastern White Cedar Wood Grade C 2nd Clear  
Architectural Shingles (25 sq. ft. per Bundle)

★★★★★ (96 "V" Glueless & Nailed 10)

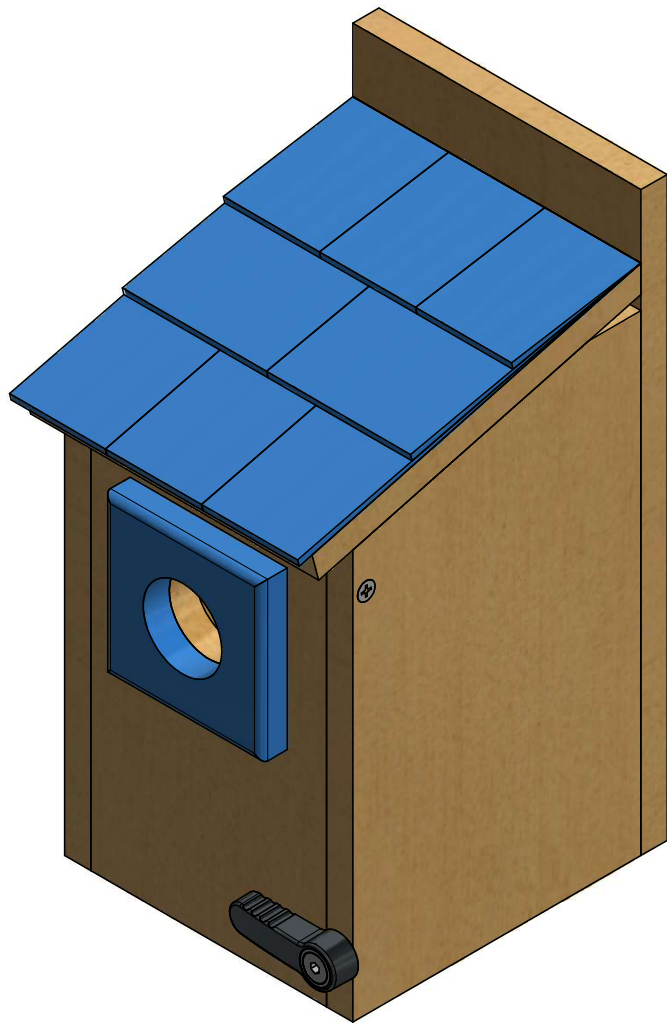


|  |               |
|--|---------------|
| DRAWN:<br>MN   | DATE 3/3/2024 |
| CHECKED:<br>N/A  |               |
| QA<br>N/A  |               |
| UNLESS OTHERWISE SPECIFIED:<br>DIMENSIONS ARE IN INCHES<br>TOLERANCES: ± 0.0625 in |               |

|                          |                          |            |
|--------------------------|--------------------------|------------|
| ZING WOODWORKS LLC       |                          |            |
| <b>CEDAR BIRDHOUSE 4</b> |                          |            |
| SIZE<br>D                | DWG NO<br>BUILDING STEPS | PAGE<br>D5 |
| SCALE                    |                          | REV<br>0   |

This PDF document and its contents cannot be sold or used without written permission from ZING WOODWORKS LLC  
Plans, wording and graphics Copyright owned by ZING WOODWORKS LLC

**FINISHED CEDAR BIRDHOUSE. STAIN WITH COLOR OF YOUR CHOICE**



This PDF document and its contents cannot be sold or used without written permission from ZING WOODWORKS LLC  
Plans, wording and graphics Copyright owned by ZING WOODWORKS LLC



|  |               |                          |                          |
|--|---------------|--------------------------|--------------------------|
| DRAWN:<br>MN   | DATE 3/3/2024 | ZING WOODWORKS LLC       |                          |
| CHECKED:<br>N/A  |               | <b>CEDAR BIRDHOUSE 4</b> |                          |
| QA<br>N/A  |               |                          |                          |
| UNLESS OTHERWISE SPECIFIED:<br>DIMENSIONS ARE IN INCHES<br>TOLERANCES: ± 0.0625 in |               | SIZE<br>D                | DWG NO<br>BUILDING STEPS |
|  |               | SCALE                    | PAGE<br>D6               |
|  |               |                          | REV<br>0                 |

